

SN65LVCP22/23 EVM

User's Guide

IMPORTANT NOTICE

Texas Instruments Incorporated and its subsidiaries (TI) reserve the right to make corrections, modifications, enhancements, improvements, and other changes to its products and services at any time and to discontinue any product or service without notice. Customers should obtain the latest relevant information before placing orders and should verify that such information is current and complete. All products are sold subject to TI's terms and conditions of sale supplied at the time of order acknowledgment.

TI warrants performance of its hardware products to the specifications applicable at the time of sale in accordance with TI's standard warranty. Testing and other quality control techniques are used to the extent TI deems necessary to support this warranty. Except where mandated by government requirements, testing of all parameters of each product is not necessarily performed.

TI assumes no liability for applications assistance or customer product design. Customers are responsible for their products and applications using TI components. To minimize the risks associated with customer products and applications, customers should provide adequate design and operating safeguards.

TI does not warrant or represent that any license, either express or implied, is granted under any TI patent right, copyright, mask work right, or other TI intellectual property right relating to any combination, machine, or process in which TI products or services are used. Information published by TI regarding third-party products or services does not constitute a license from TI to use such products or services or a warranty or endorsement thereof. Use of such information may require a license from a third party under the patents or other intellectual property of the third party, or a license from TI under the patents or other intellectual property of TI.

Reproduction of information in TI data books or data sheets is permissible only if reproduction is without alteration and is accompanied by all associated warranties, conditions, limitations, and notices. Reproduction of this information with alteration is an unfair and deceptive business practice. TI is not responsible or liable for such altered documentation.

Resale of TI products or services with statements different from or beyond the parameters stated by TI for that product or service voids all express and any implied warranties for the associated TI product or service and is an unfair and deceptive business practice. TI is not responsible or liable for any such statements.

Following are URLs where you can obtain information on other Texas Instruments products & application solutions:

| Products | | Applications | |
|------------------|--|---------------------|--|
| Amplifiers | amplifier.ti.com | Audio | www.ti.com/audio |
| Data Converters | dataconverter.ti.com | Automotive | www.ti.com/automotive |
| DSP | dsp.ti.com | Broadband | www.ti.com/broadband |
| Interface | interface.ti.com | Digital Control | www.ti.com/digitalcontrol |
| Logic | logic.ti.com | Military | www.ti.com/military |
| Power Mgmt | power.ti.com | Optical Networking | www.ti.com/opticalnetwork |
| Microcontrollers | microcontroller.ti.com | Security | www.ti.com/security |
| | | Telephony | www.ti.com/telephony |
| | | Video & Imaging | www.ti.com/video |
| | | Wireless | www.ti.com/wireless |

Mailing Address: Texas Instruments
Post Office Box 655303 Dallas, Texas 75265

EVM IMPORTANT NOTICE

Texas Instruments (TI) provides the enclosed product(s) under the following conditions:

This evaluation kit being sold by TI is intended for use for **ENGINEERING DEVELOPMENT OR EVALUATION PURPOSES ONLY** and is not considered by TI to be fit for commercial use. As such, the goods being provided may not be complete in terms of required design-, marketing-, and/or manufacturing-related protective considerations, including product safety measures typically found in the end product incorporating the goods. As a prototype, this product does not fall within the scope of the European Union directive on electromagnetic compatibility and therefore may not meet the technical requirements of the directive.

Should this evaluation kit not meet the specifications indicated in the EVM User's Guide, the kit may be returned within 30 days from the date of delivery for a full refund. **THE FOREGOING WARRANTY IS THE EXCLUSIVE WARRANTY MADE BY SELLER TO BUYER AND IS IN LIEU OF ALL OTHER WARRANTIES, EXPRESSED, IMPLIED, OR STATUTORY, INCLUDING ANY WARRANTY OF MERCHANTABILITY OR FITNESS FOR ANY PARTICULAR PURPOSE.**

The user assumes all responsibility and liability for proper and safe handling of the goods. Further, the user indemnifies TI from all claims arising from the handling or use of the goods. Please be aware that the products received may not be regulatory compliant or agency certified (FCC, UL, CE, etc.). Due to the open construction of the product, it is the user's responsibility to take any and all appropriate precautions with regard to electrostatic discharge.

EXCEPT TO THE EXTENT OF THE INDEMNITY SET FORTH ABOVE, NEITHER PARTY SHALL BE LIABLE TO THE OTHER FOR ANY INDIRECT, SPECIAL, INCIDENTAL, OR CONSEQUENTIAL DAMAGES.

TI currently deals with a variety of customers for products, and therefore our arrangement with the user **is not exclusive**.

TI assumes **no liability for applications assistance, customer product design, software performance, or infringement of patents or services described herein**.

Please read the EVM User's Guide and, specifically, the EVM Warnings and Restrictions notice in the EVM User's Guide prior to handling the product. This notice contains important safety information about temperatures and voltages. For further safety concerns, please contact the TI application engineer.

Persons handling the product must have electronics training and observe good laboratory practice standards.

No license is granted under any patent right or other intellectual property right of TI covering or relating to any machine, process, or combination in which such TI products or services might be or are used.

Mailing Address:

Texas Instruments
Post Office Box 655303
Dallas, Texas 75265

EVM WARNINGS AND RESTRICTIONS

It is important to operate this EVM within the input voltage range between 1.2 V and 3.3 V.

Exceeding the specified input range may cause unexpected operation and/or irreversible damage to the EVM. If there are questions concerning the input range, please contact a TI field representative prior to connecting the input power.

Applying loads outside of the specified output range may result in unintended operation and/or possible permanent damage to the EVM. Please consult the EVM User's Guide prior to connecting any load to the EVM output. If there is uncertainty as to the load specification, please contact a TI field representative.

During normal operation, some circuit components may have case temperatures greater than 60°C. The EVM is designed to operate properly with certain components above 60°C as long as the input and output ranges are maintained. These components include but are not limited to linear regulators, switching transistors, pass transistors, and current sense resistors. These types of devices can be identified using the EVM schematic located in the EVM User's Guide. When placing measurement probes near these devices during operation, please be aware that these devices may be very warm to the touch.

Mailing Address:

Texas Instruments
Post Office Box 655303
Dallas, Texas 75265

Read This First

About This Manual

This user's guide describes the SN65LVCP22/23 evaluation module (EVM). This guide contains the EVM schematic, bill of materials, assembly drawing, and board layouts.

How to Use This Manual

This document contains the following chapters:

- Chapter 1– Introduction
- Chapter 2– Setup and Equipment Required
- Chapter 3– EVM Construction
- Chapter 4– PCB Fabrication and Bill of Materials

This user's guide may contain cautions and warnings. The information in a caution or a warning is provided for your protection. Please read each caution and warning carefully.

Related Documentation From Texas Instruments

SN65LVCP22 – LVDS crosspoint switch data sheet (SLLS553)

SN65LVCP23 – LVPECL crosspoint switch data sheet (SLLS554)

Trademarks

Trademarks are the property of their respective owners.

Electrostatic Sensitive Devices



This EVM contains components that can potentially be damaged by electrostatic discharge. Always transport and store the EVM in its supplied ESD bag when not in use. Handle using an antistatic wristband. Operate on an antistatic work surface. For more information on proper handling, refer to SSYA008.

Contents

| | | |
|----------|--|------------|
| 1 | Introduction | 1-1 |
| 1.1 | Overview | 1-2 |
| 1.2 | Signal Paths | 1-3 |
| 2 | Setup and Equipment Required | 2-1 |
| 2.1 | Overview | 2-2 |
| 2.2 | Applying an Input | 2-3 |
| 2.3 | Observing an Output | 2-4 |
| 2.4 | Typical Test Results | 2-5 |
| 3 | EVM Construction | 3-1 |
| 3.1 | Schematics | 3-2 |
| 3.2 | Board Layout Patterns | 3-4 |
| 4 | PCB Fabrication and Bill of Materials | 4-1 |
| 4.1 | PCB Fabrication Notes and Stackup | 4-2 |
| 4.2 | Bill of Materials for SN65LVCP22/23 EVM | 4-2 |

Figures

| | | |
|-----|---|-----|
| 1-1 | Functional Configurations of the SN65LVCP22 and SN65LVCP23 | 1-2 |
| 1-2 | SN65LVCP22/23 EVM | 1-2 |
| 1-3 | SN65LVCP22/23 EVM | 1-3 |
| 2-1 | EVM Power Connections for SN65LVCP22/23 Evaluation—With LVDS Inputs | 2-2 |
| 2-2 | External Termination for Interfacing CML or LVPECL Drivers | 2-3 |
| 2-3 | Typical Test Results of the SN65LVCP23 with the SN65LVCP22/23EVM | 2-5 |
| 3-1 | SN65LVCP22D Schematic | 3-2 |
| 3-2 | SN65LVCP23D Schematic | 3-3 |
| 3-3 | SN65LVCP22/23 Silk Screen | 3-4 |
| 3-4 | Layer 1 – Signal Plane | 3-4 |
| 3-5 | Layer 2 – GND Plane | 3-5 |
| 3-6 | Layer 3 – Split Plane (VCC/VCC01) | 3-5 |
| 3-7 | Layer 4 – GND Plane | 3-6 |

Tables

| | | |
|-----|---------------------------------|-----|
| 2-1 | Crosspoint Function Table | 2-4 |
|-----|---------------------------------|-----|

Introduction

The SN65LVCP22/23 EVM highlights the high-speed performance and functionality of the SN65LVCP22 and SN65LVCP23 2x2 crosspoint switches.

| Topic | Page |
|------------------------|-------------|
| 1.1 Overview | 1-2 |
| 1.2 Signal Paths | 1-3 |

1.1 Overview

The SN65LVCP22 (LVDS output) and SN65LVCP23 (LVPECL output) are high-speed 2x2 crosspoint switches. The four different functions that these crosspoints provide are shown in Figure 1–1. The functions of these crosspoints are selected via pins SEL0 and SEL1. Control pins EN0 and EN1 enable or disable the outputs. The receiver has a wide input common-mode voltage range with an ability to accept LVDS, LVPECL and CML signaling levels.

Figure 1–1. Functional Configurations of the SN65LVCP22 and SN65LVCP23

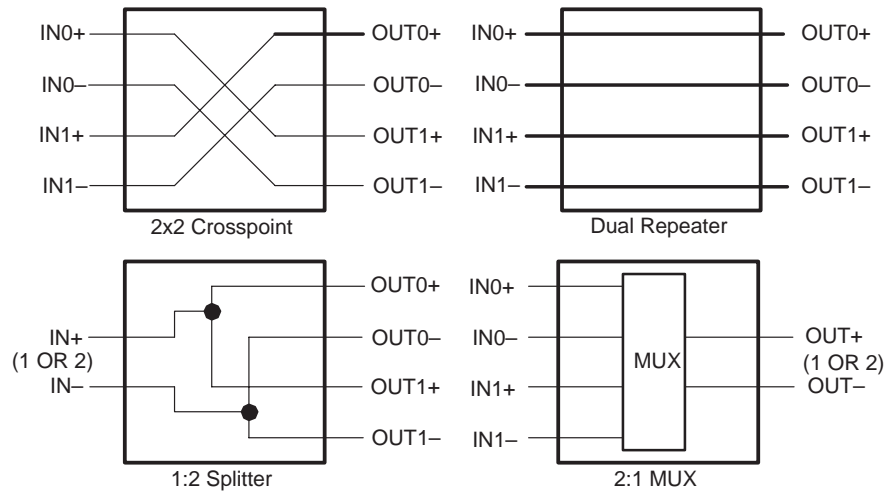
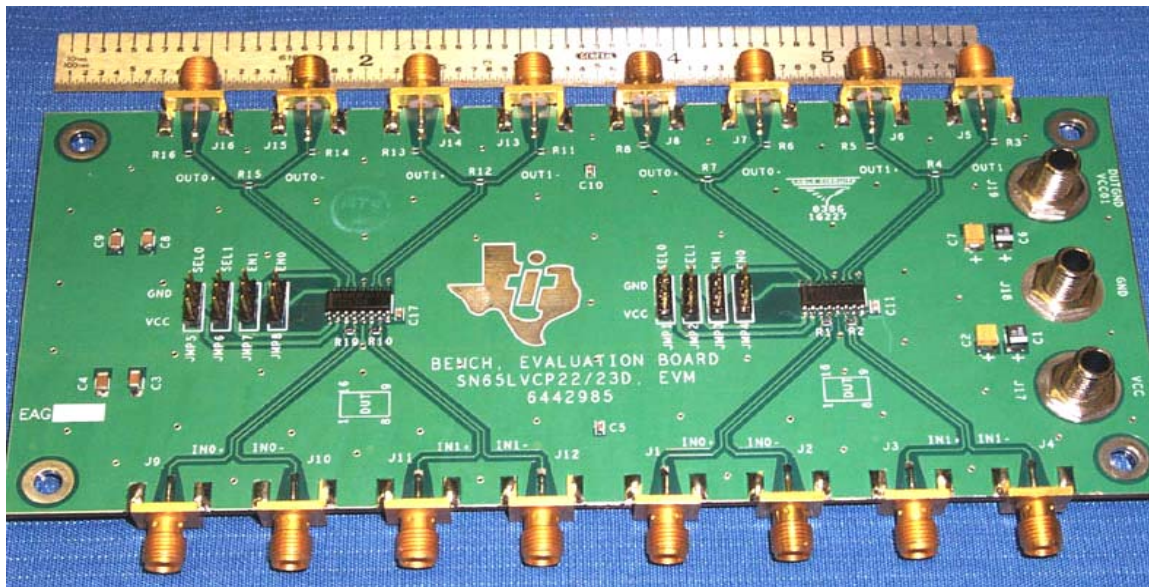


Figure 1–2 is a picture of the SN65LVCP22/23 EVM. The EVM part number is SN65LVCP22/23EVM. The EVM comes with the SN65LVCP22D and SN65LVCP23D (SOIC both) installed. A copy of the datasheet is shipped with the EVM. The latest version of the datasheet is available from www.ti.com.

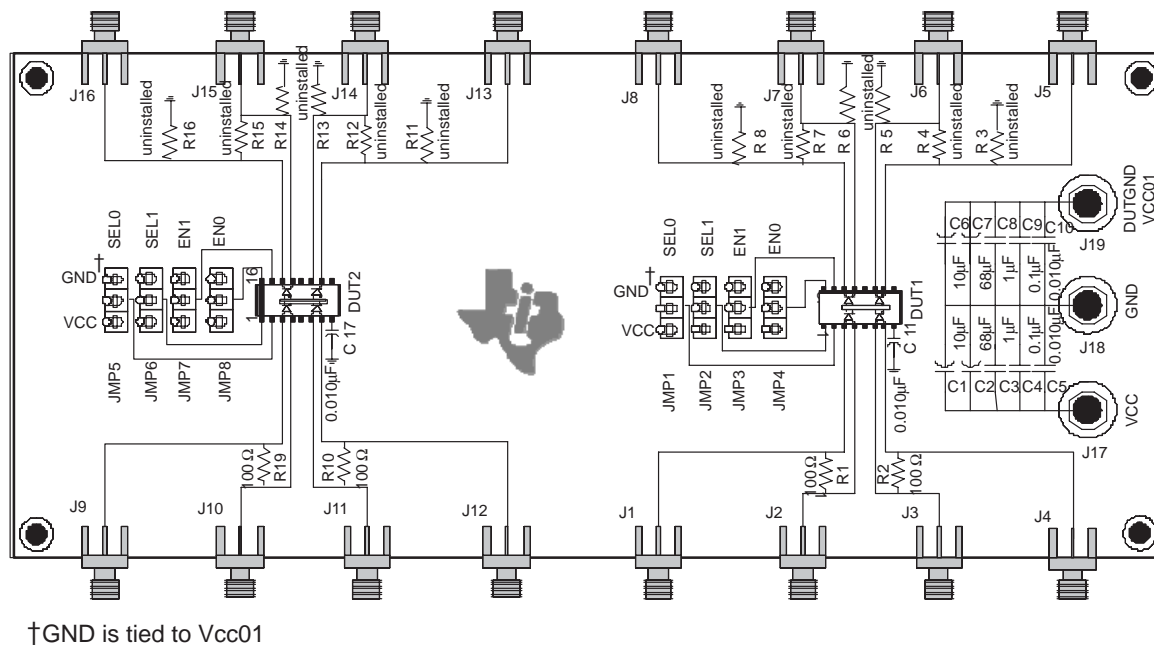
Figure 1–2. SN65LVCP22/23 EVM



1.2 Signal Paths

The signal paths on this EVM include 16 edge-launch SMA connectors (J1–J16) for high-speed data transmission, 4 jumpers (JMP1, JMP2 for DUT1 and JMP5, JMP6 for DUT2) for active switch logic control, 4 jumpers (JMP3, JMP4 for DUT1 and JMP7, JMP8 for DUT2) for enabling and disabling the outputs, and three banana jacks (J17, J18, J19) for power and ground connections. See Figure 1–3.

Figure 1–3. SN65LVCP22/23 EVM





Setup and Equipment Required

| Topic | Page |
|--------------------------------|-------------|
| 2.1 Overview | 2-2 |
| 2.2 Applying an Input | 2-3 |
| 2.3 Observing an Output | 2-4 |
| 2.4 Typical Test Results | 2-5 |

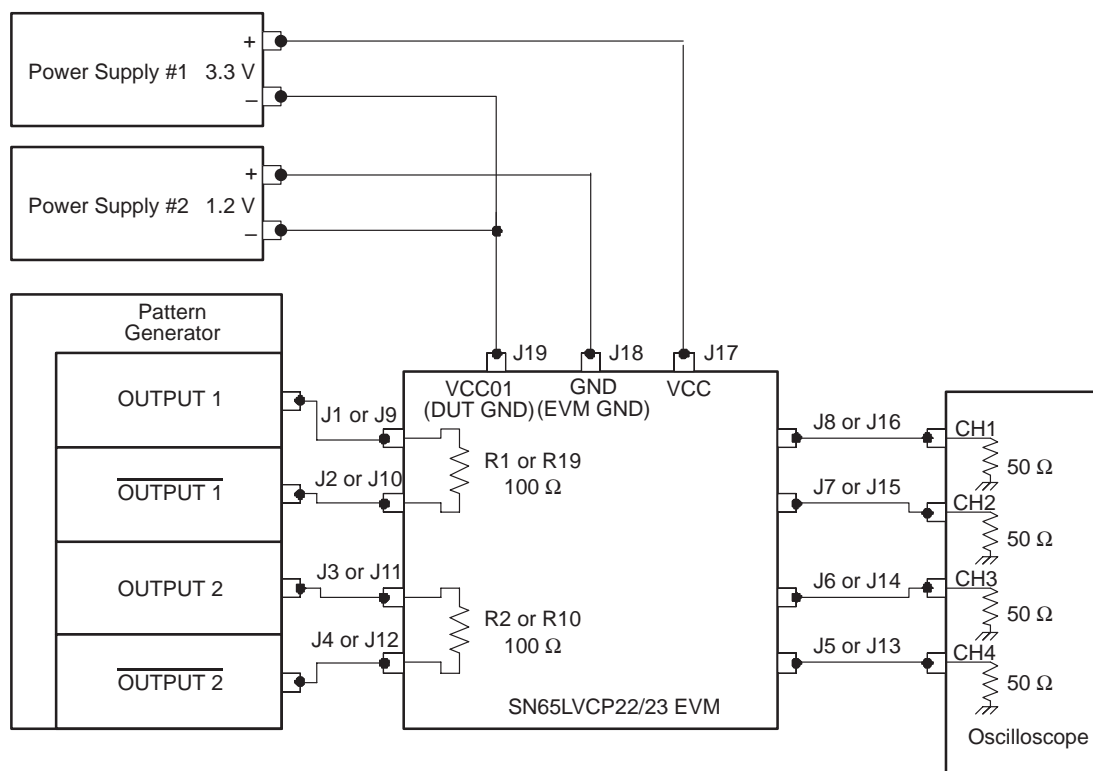
2.1 Overview

The output characteristics of the SN65LVCP23 (LVPECL) drivers are generally loaded with 50-Ω resistors to a termination bias voltage, V_{TT} . V_{TT} is usually 2 V below the supply voltage of the driver circuit. When the driver operates from a 3.3-V supply, V_{TT} is set to approximately 1.3 V.

The output characteristics of the SN65LVCP22 are specified in the TIA/EIA-644 standard. LVDS drivers nominally provide a 350-mV differential signal, with a 1.25-V offset from ground. These levels are attained when driving a 100-Ω differential line-termination test load. This requirement includes the effects of up to 32 standard receivers with their ground reference up to 1 V different from that of the driver. This common-mode loading limitation of LVDS drivers affects how they are observed and much of the test setup that follows..

The EVM is designed to support the SN65LVCP22 LVDS output device as well as the SN65LVCP23 LVPECL output device. By using the three power jacks (J17, J18, J19), as well as installing termination resistors (R3–R8 and R11–R16), different methods of termination and probing can be used to evaluate the device output characteristics. The typical setup for the SN65LVCP22 is shown in Figure 2–1.

Figure 2–1. EVM Power Connections for SN65LVCP22/23 Evaluation—With LVDS Inputs

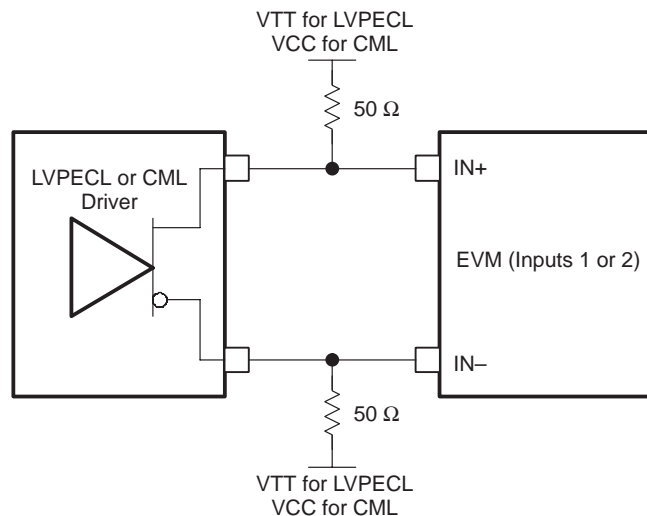


2.2 Applying an Input

When using a general-purpose signal generator with 50- Ω output impedance, make sure that the signal levels are between 0-V and 4-V with respect to J19, device under test ground (DUT GND), designated as Vcc01.

Inputs should be applied to the SMA connectors J1, J2, J3, and J4 for DUT1 (or J9, J10, J11 and J12 for DUT2). Matched cable lengths must be used when connecting the signal generator to the EVM to avoid inducing skew between the noninverting and inverting inputs. The EVM comes with 100- Ω resistors installed across the differential inputs for LVDS termination. The simple 100- Ω terminations do not provide the necessary termination for LVPECL or CML^[1] output structures. In order to interface the SN65LVCP22/23 EVM with CML or LVPECL drivers, external terminations are required. Figure 2–2 shows an example termination for LVPECL and CML output structures. Remove resistors R1, R2, R10 and R19 when using the external terminations.

Figure 2–2. External Termination for Interfacing CML or LVPECL Drivers



The use of external resistors creates a significant stub between the termination and the actual device receivers. The user needs to verify that the transition time of the input signal, coupled with the stub length, does not lead to reflection problems. In normal applications, the termination would be placed as close as possible to the device inputs to minimize reflections.

The control lines SEL0 and SEL1 require LVTTTL levels and are stimulated by the Vcc power supply, via jumpers JMP1 and JMP2 (DUT1) and JMP5 and JMP6 (DUT2). Table 2–1 shows the different functions and the control line settings for each.

^[1]CML is not a standardized physical layer and therefore the output structures and required termination differ from vendor to vendor.

Table 2–1. Crosspoint Function Table

| SEL0 | SEL1 | OUT0 | OUT1 | Function |
|------|------|------|------|--------------|
| 0 | 0 | IN0 | IN0 | 1:2 Splitter |
| 0 | 1 | IN0 | IN1 | Repeater |
| 1 | 0 | IN1 | IN0 | Switch |
| 1 | 1 | IN1 | IN1 | 1:2 Splitter |

2.3 Observing an Output

Direct connection to an oscilloscope with 50- Ω internal terminations to ground is accomplished without R3–R8 (DUT1) and R11–R16 (DUT2) installed. The outputs are available at J5–J8 (DUT1) and J13–J16 (DUT2) for direct connection to oscilloscope inputs. Matched cable lengths must be used when connecting the EVM to a scope to avoid inducing skew between the noninverting (+) and inverting (–) outputs.

The three power jacks (J17, J18, J19) are used to provide power and a ground reference for the EVM. The power connections to the EVM determine the common-mode load to the device. As mentioned earlier, LVDS drivers have limited common-mode driver capability. When connecting the EVM outputs directly to oscilloscope inputs, setting of the oscilloscope common-mode offset voltage is required, as the oscilloscope presents low common-mode load impedance to the device.

Returning to Figure 2–1, power supply 1 is used to provide the required 3.3 V to the EVM. Power supply 2 is used to offset the EVM ground relative to the DUT ground. The EVM ground is connected to the oscilloscope ground through the returns on SMA connectors J5–J8 (DUT1) and J13–J16 (DUT2). With power applied as shown in Figure 2–1, the common-mode voltage seen by the SN65LVCP22 is approximately equal to the reference voltage being used inside the device, preventing significant common-mode current to flow. Optimum device setup can be confirmed by adjusting the voltage on power supply 2 until its current is minimized. It is important to note that use of the dual supplies and offsetting the EVM ground relative to the DUT ground are simply steps needed for the test and evaluation of devices. Actual designs include high-impedance receivers, which do not require the setup steps outlined above.

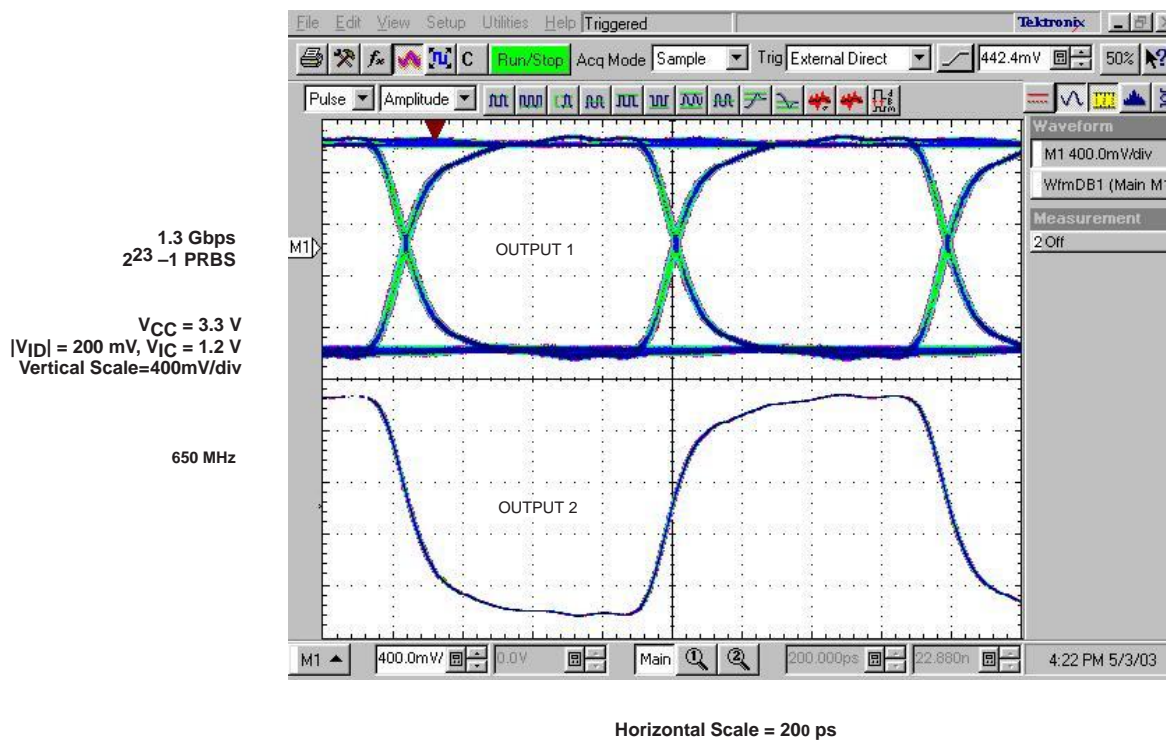
LVPECL drivers need a 50- Ω termination to V_{TT} . A modification of Figure 2–1 and the above instructions are used when evaluating an SN65LVCP23 with a direct connection to a 50- Ω oscilloscope. With power supply 1 in Figure 2–1 set to 3.3 V, power supply 2 should be set to 1.3 V (2 V below V_{CC}) to provide the correct termination voltage.

If the outputs are to be evaluated with a high-impedance probe, direct probing on the EVM board is supported via installation of a 50- Ω resistor across the solder pads for R6 and R8, and another 50- Ω resistor across the solder pads for R3 and R5 for DUT1. Or, LVDS outputs can be observed by installing a 100- Ω resistor at R4, R7, R12, or R15. LVPECL outputs can be observed by installing R3, R5, R11, R13, R14, and R16 (49.9- Ω resistors) and setting power supply #2 to 1.3 V. (Note that power supply #2 must be able to sink current.)

2.4 Typical Test Results

Figure 2–3 is a typical result obtained with the EVM setup shown in Figure 2–1. The upper waveform is the difference voltage between channels 1 and 2 of the oscilloscope and the lower trace is the difference voltage between channels 3 and 4. The DUT was configured to send the IN0+/IN0– inputs to the outputs OUT0+/OUT0– and inputs IN1+/IN1– to outputs OUT1+/OUT1– by setting EN0 and EN1 to a high level and by setting SEL0 to Gnd and SEL1 to Vcc. The stimuli were a $2^{23}-1$ PRBS to J1 and J2 at 1.3 Gbps, and a 650 MHz clock to J3 and J4. The input levels for both clock and data were a differential voltage of 400 mV, with a common-mode voltage of 0 V (referenced to the ground of the pattern generator).

Figure 2–3. Typical Test Results of the SN65LVCP23 with the SN65LVCP22/23EVM



EVM Construction

| Topic | Page |
|--|-------------|
| 3.1 Schematics | 3-2 |
| 3.2 Board Layout Patterns | 3-4 |

3.1 Schematics

Figure 3–1. SN65LVCP22D Schematic

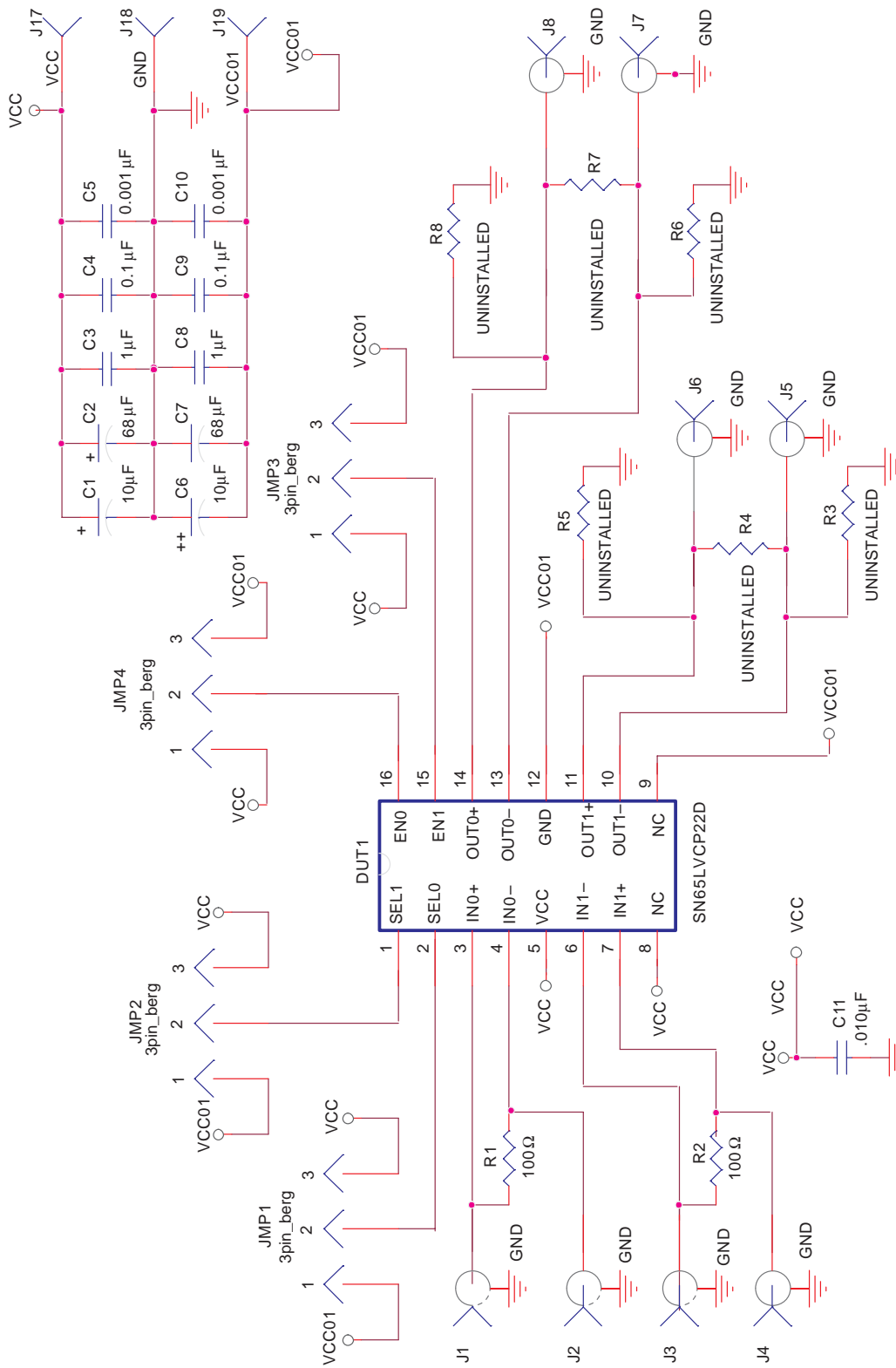
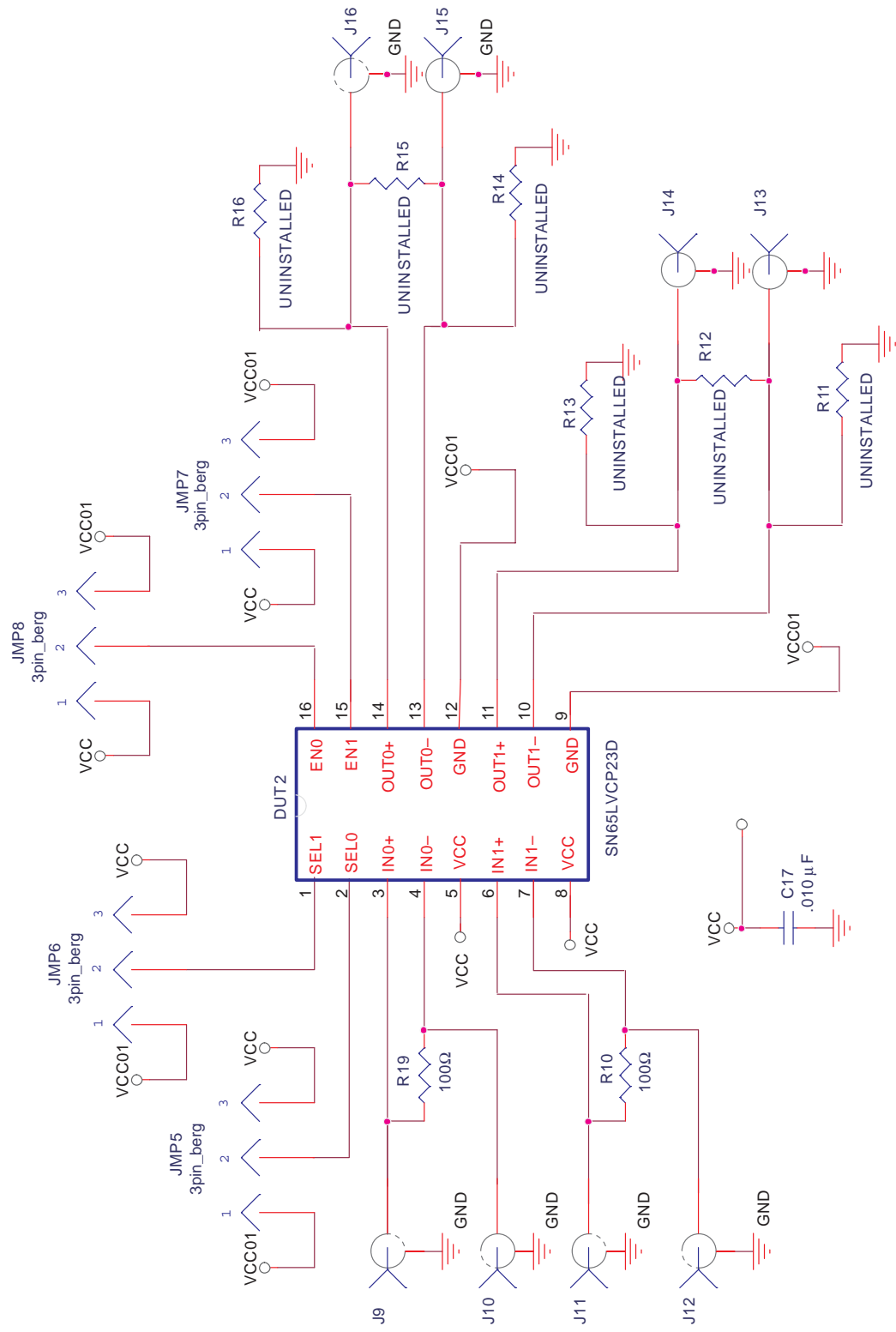


Figure 3–2. SN65LVCP23D Schematic



3.2 Board Layout Patterns

Figure 3–3. SN65LVCP22/23 Silk Screen

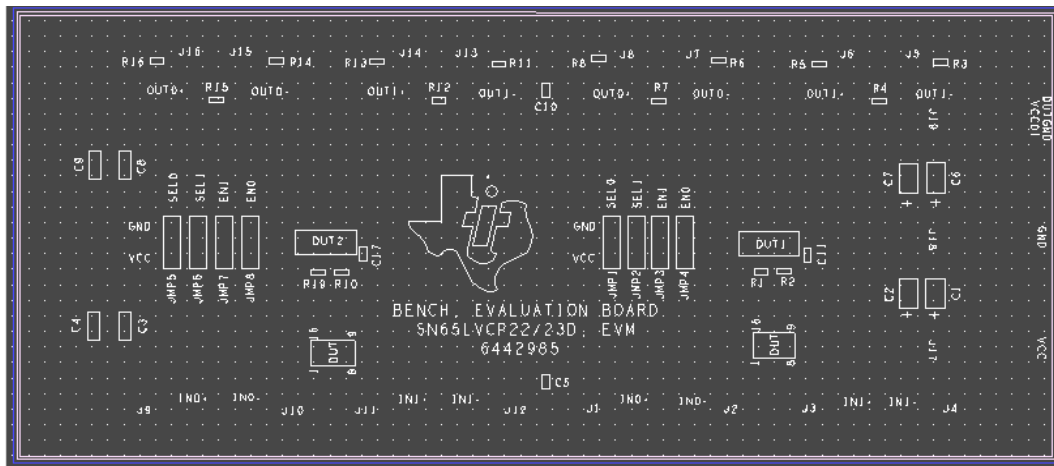


Figure 3–4. Layer 1 – Signal Plane

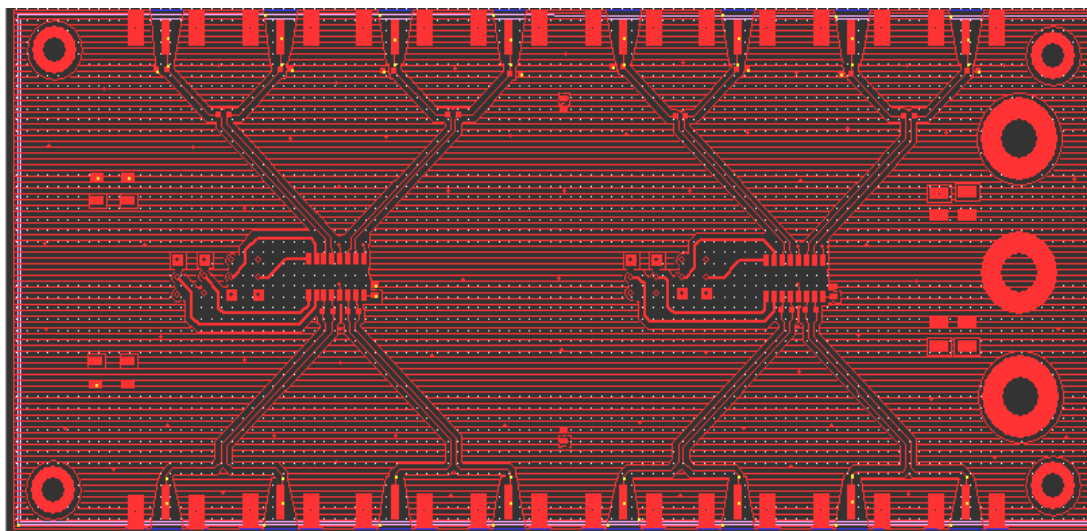


Figure 3–5. Layer 2 – GND Plane

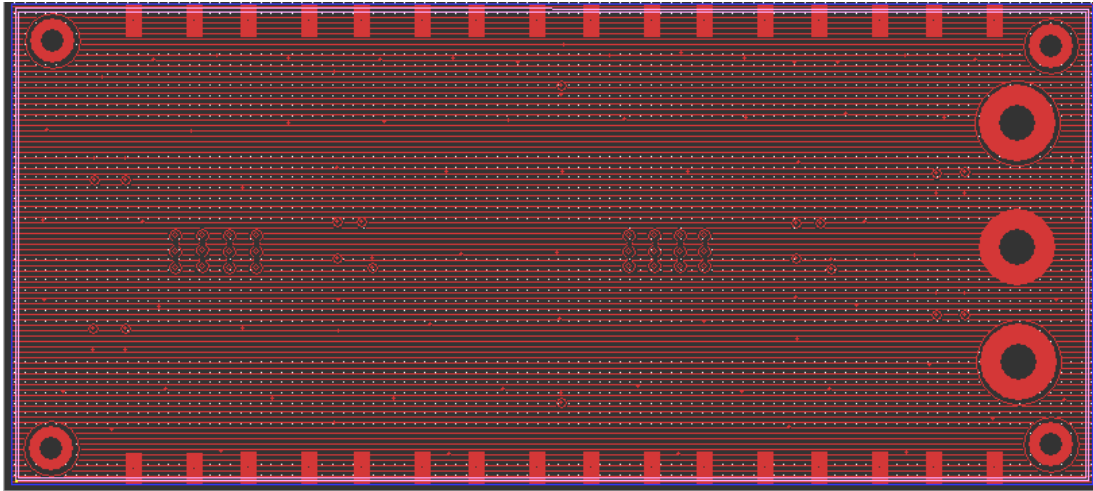
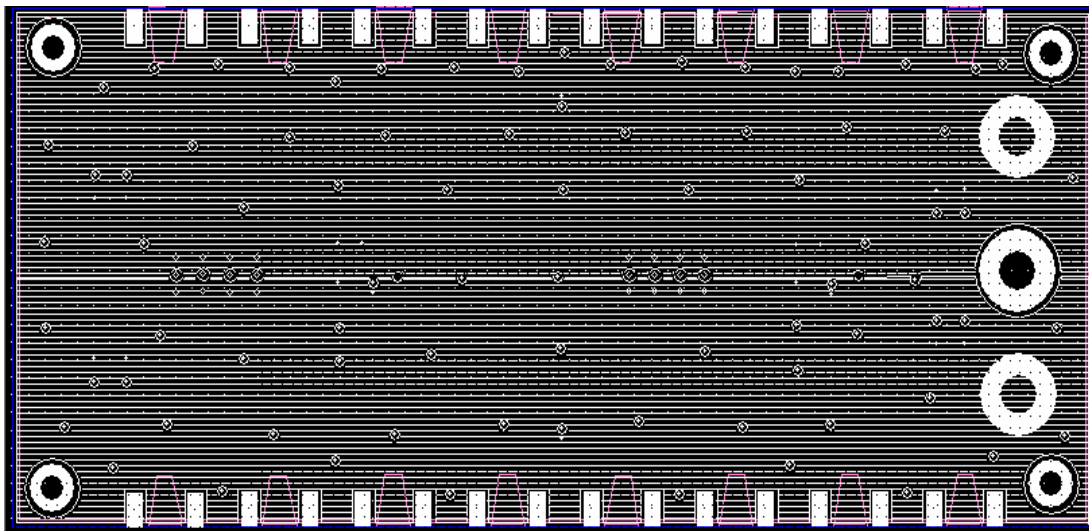
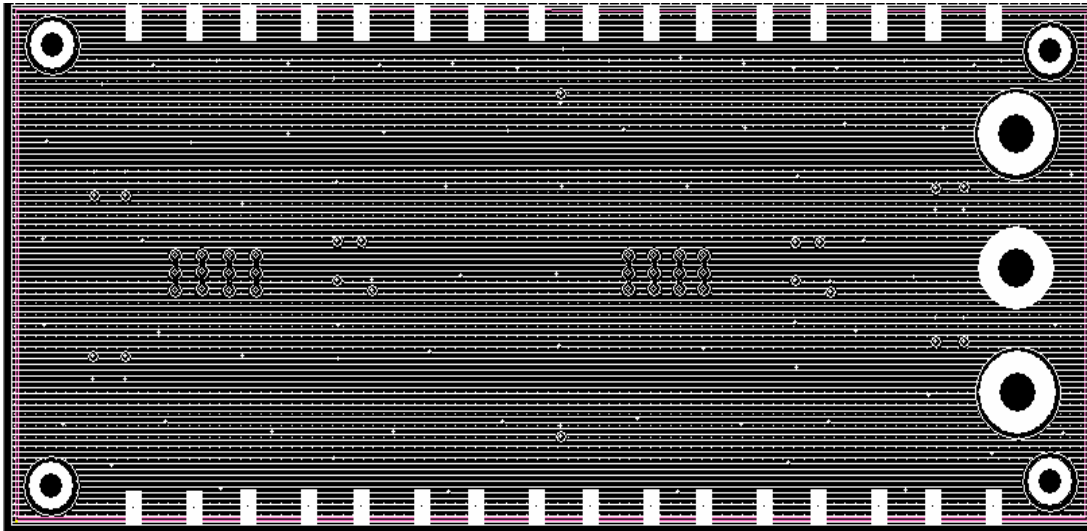
Figure 3–6. Layer 3 – Split Plane (V_{CC}/V_{CC01})

Figure 3–7. Layer 4 – GND Plane

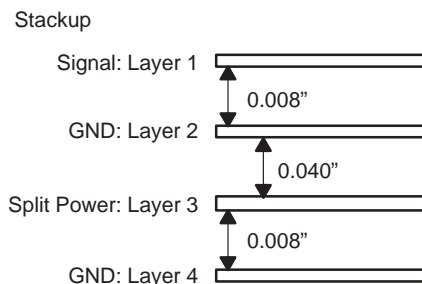


PCB Fabrication and Bill of Materials

| Topic | Page |
|---|-------------|
| 4.1 PCB Fabrication Notes and Stackup | 4-2 |
| 4.2 Bill of Materials | 4-2 |

4.1 PCB Fabrication Notes and Stackup

- Notes:**
- 1) All fabrication items must meet or exceed best industry practice. IPC-A 600C (Commercial Std.)
 - 2) Laminate material NELCO N4000-13 [DO NOT USE-13SI]
 - 3) Copper weight: 1 oz start internal and 1/2 oz start external
 - 4) Finished board thickness: 0.62" ±0.10"
 - 5) Maximum warp and twist to be 0.005 inch per inch
 - 6) Minimum copper wall thickness of plate-through holes 0.002 inch
 - 7) Minimum annular ring of plate-through holes to be 0.001 inch
 - 8) Minimum allowable line reduction to be 20% or 0.002 inch whichever is greater
 - 9) 0.0125 inch signal lines on layer 1 to be impedance controlled 100 Ω to each other ±10%
 - 10) Dielectric constants are core 3.9
 - 11) Fill vias that are in a pad are prepreg 3.9



4.2 Bill of Materials for SN65LVCP22/23 EVM

| Comment | Quantity | Components |
|------------------------------------|----------|---|
| 10 μF, 35V, 10% | 2 | C1, C6 |
| 68 μF, 10 V, 20%, Low ESR | 2 | C2, C7 |
| 1 μF, 25 V +80% -20% | 2 | C3, C8 |
| 0.1 μF, 50 V, 5% | 2 | C4, C9 |
| 0.001 μF, 25 V, 5% | 2 | C5, C10 |
| 0.01 μF, 50 V, ±10% | 2 | C11, C17 |
| SN65LVCP22D | 1 | DUT1 |
| SN65LVCP23D | 1 | DUT2 |
| 3POS_JUMPER | 8 | JMP1, JMP2, JMP3, JMP4, JMP5, JMP6, JM7, JMP8 |
| SMA_PCB_MT_MOD | 16 | J1, J2, J3, J4, J5, J6, J7, J8, J9, J10, J11, J12, J13, J14, J15, J16 |
| Banana Jack | 3 | J17, J18, J19 |
| 100 Ω, 1/4 Watt, 1% | 4 | R1, R2, R10, R19 |
| 49.9 Ω, 1/4 Watt, 1% (uninstalled) | 12 | R3, R4, R5, R6, R7, R8, R11, R12, R13, R14, R15, R16 |